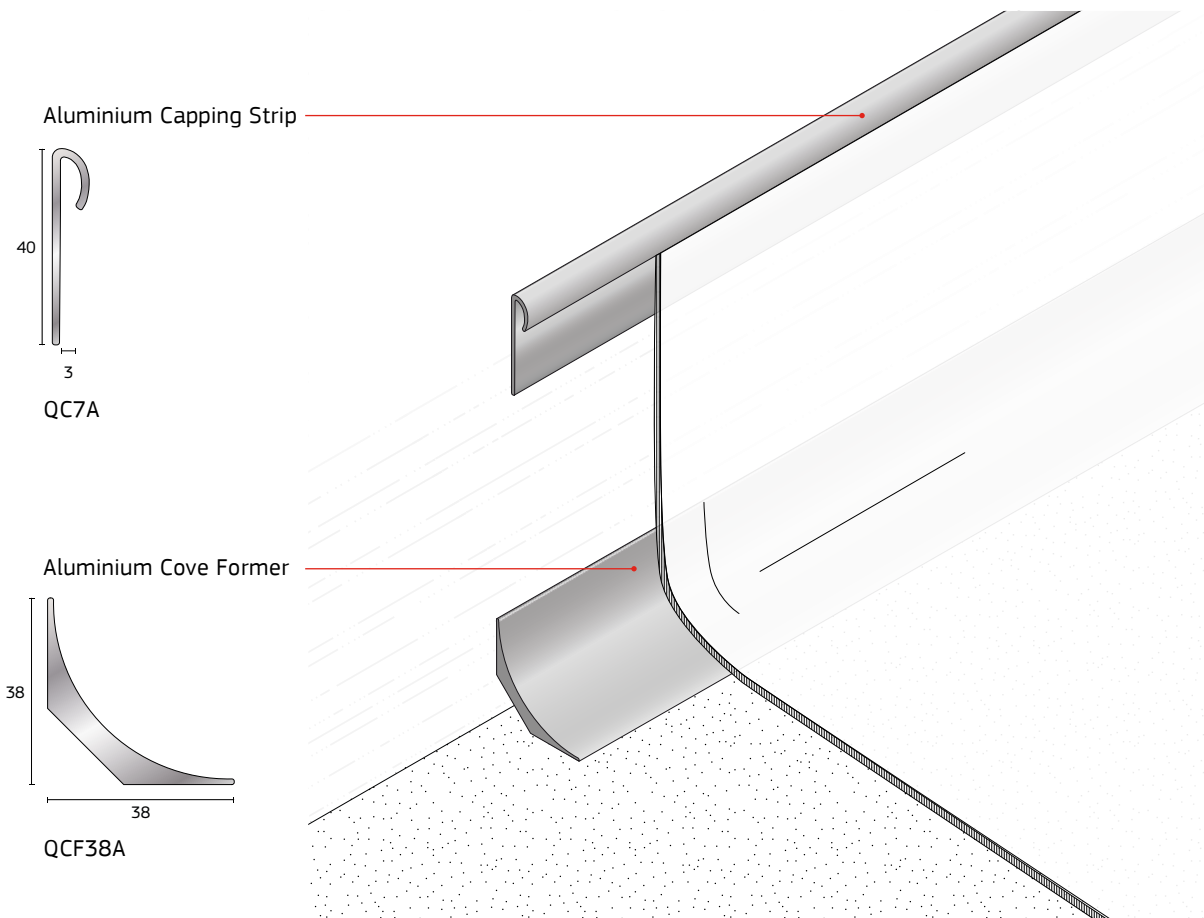


ALUMINIUM COVE FORMER & CAPPING STRIP FLOORCOVERING TO WALL DETAIL

These two profiles are used in conjunction with each other to allow for the floor covering to be continued up the wall for a short distance (usually approx. 100mm) thus helping to create a clean finish in wet and sanitised areas. The Cove Former is installed at the junction of the floor and wall which provides a hidden radiused support for the floor covering as it is curved up the wall. The Capping Strip provides a neat finish to the edge of the floor covering.

Fitting

- i) **Capping Strip:** Scribe a line on the wall where the floorcovering is to finish. Apply contact adhesive to the back of the Capping Strip and the wall where it is to be fitted, all in accordance with the recommendations of the adhesive manufacturer. Fit the Capping Strip (lip down as shown) in place.
- ii) **Cove Former:** Apply contact adhesive to the back of the Cove Former and the wall/floor junction, all in accordance with the recommendations of the adhesive manufacturer. Fit the Cove Former in place.
- iii) Feed the floor covering over the radiused cove former and trim the edge to fit under the lip of the Capping Strip (all as shown).



| Product Code | Material | Length | Pack Units |
|--------------|-----------|--------|------------|
| QC7A | Aluminium | 2m | 20 pcs |
| QCF38A | Aluminium | 2m | 10 pcs |