

# SF MULTICLOSER CAVITY CLOSER

Uniclass L3272:P7114	EPIC F642:X725
C/SFB (31.9)	Hn6

MAR 2019

## Features

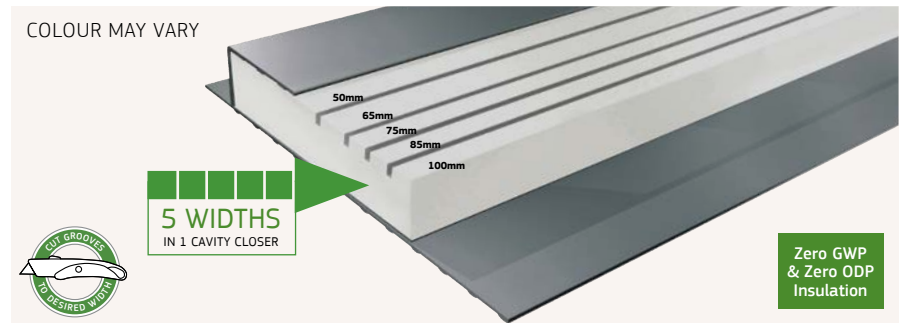
- » Easy to install
- » Economical
- » Weather Rating  
Standard/ Flush = Severe  
Check Reveal = Very Severe
- » Reduces risk of condensation, mould and moisture migration across the cavity and acts as a DPC
- » Complies with Part L Building Regulations when the window is installed with a minimum set back of 30mm
- » No ties required – simply nail to blocks
- » Overcomes cavity width variations

## Standards

- » ISO 9001 ..... Yes
- » BBA Certificate..... Yes
- » Part L Compliance 2010..... Yes
- » Robust Detail BR262 ..... Yes

## Sustainability

- » ISO 14001 ..... Yes
- » GWP ..... <5
- » ODP ..... Zero
- » Green Guide ..... A+



## Product Description

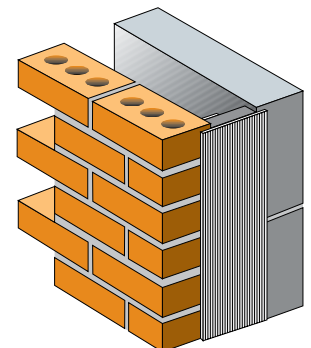
SF Multicloser is a versatile and economic PVCu insulated cavity closer that is easy to use and achieve building regulations where cavity widths are unknown or vary on site. SF Multicloser has pre-cut grooves to simplify cutting the closer to the required size, at 50, 65, 75 and 85 mm or leave as is for a 100 mm cavity width.

## Product Function

SF Multicloser is recommended for closing the cavity around window and door openings in second fix installations when a frame former is not required. Suitable for use in conventional brick & block and timber frame constructions.

## Installation/ Application Detail

- » Simply cut along the groove of the appropriate cavity width with a sharp knife.
- » Cut the profile to the respective height and widths of the cavity opening and push fit into the cavity.
- » Slight cavity width variations can be overcome by applying light pressure.
- » The ribbed surface of the SF Multicloser will accept wet plaster or plasterboard on dabs. Best practice would suggest priming the closer surface prior to finishing.



# SF MULTICLOSER CAVITY CLOSER

## Specification

- » Fire Rated ..... No
- » Check Reveal Available ..... Yes
- » 1st Fix ..... No
- » 2nd Fix ..... Yes
- » Min Cavity Width (mm) ..... 50
- » Max Cavity Width (mm) ..... 100
- » Lengths ..... 2.4m
- » Thermal Conductivity (K Value  
 $\lambda$  90/90) = 0.038 W/mK
- » Thermal Resistance (R Value)  
= 0.658 m<sup>2</sup>K/W

## Order Codes

STANDARD:

SF Multicloser

CHECK REVEAL:

CSF Multicloser

## Technical Data

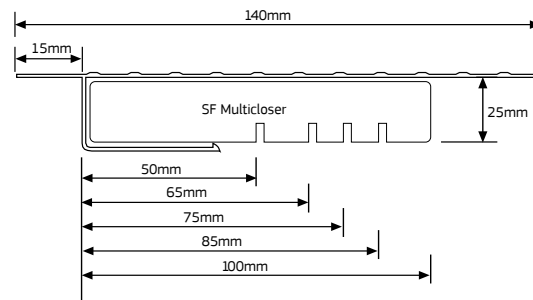
PROFILE:

Non water absorbing rigid PVCu extruded profile (colour may vary).

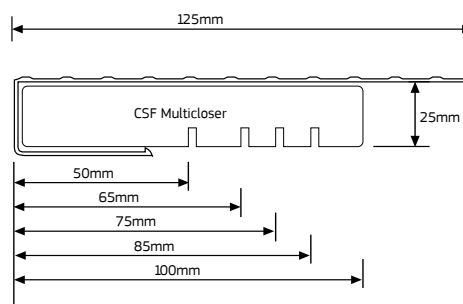
INSULATION:

Expanded Polystyrene (EPS) CFC & HCFC free (colour may vary).

FLUSH/STANDARD:



CHECK REVEAL:



## Recycled Content

All Dacatie Cavity Closers are produced with a recycled content of approximately 50%. The materials used predominately comprise a blend of post-consumer and/or post-industrial recycled material.

The insulation materials used can typically contain a recycled content of approximately 5%. Colour may vary.

## Health & Safety

Dacatie has an approved Health and Safety Policy and is committed to working and supplying products safely. A Dacatie COSHH data sheet is available and can be downloaded from the Dacatie website [www.dacatie.co.uk](http://www.dacatie.co.uk).

## Environment

Dacatie's closer insulation has no CFC's, HCFC's in the manufacturing process and represents no known threat to the environment. Dacatie's closer insulation has a low impact on the environment and is classified as zero ODP and zero GWP.

## Storage & Packaging

Dacatie's closers are supplied in polythene sleeves that are designed for transporting and protecting the products. It is not recommended that the packs are stored in direct sunlight. When storing the Cavity Closers for longer periods of time it is recommended the product should be stored indoors, or under cover.

## GWP levels less than 5, ODP Zero and Green Guide A+

Dacatie Insulated Cavity Closers offer different insulation materials with the option of GWP levels of <5, ODP levels of zero and Green Guide ratings of A+.

## BREEAM (and Code for Sustainable Homes)

# BREEAM®

BRE has advised that Insulated Cavity Closers as a product do not gain Green Guide credits, since they do not enhance BREEAM scheme categories.

## Building Regulations compliance

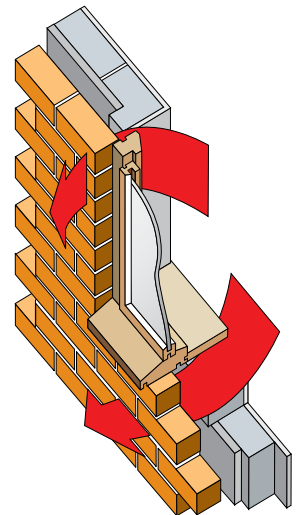
Building Regulation (Part L) compliance is important. The path of minimum thermal resistance through the closer must be at least 0.45 m<sup>2</sup>K/W, which Dacatie closers exceed, as stipulated in robust details "limited thermal bridging and air leakage" when the window is installed with a minimum set back of 30 mm.



## Cold Bridging

The problems of cold bridging are recognised in the Part L Building Regulation 2010 and Scottish Building Regulations 2004. Dacatie Insulated Cavity Closers are used to overcome thermal loss that occurs around unprotected cavities and reveals. Thermal loss can result in problems of condensation, staining and mould growth at the reveals of these openings.

Prolonged exposure to such factors will lead to a deterioration of the internal plaster and paint work. The use of Dacatie Cavity Closers will help to prevent the occurrence of such factors.



## Specification Statement

The insulated cavity closer around window and door openings is to be a Dacatie product, supplied by Quantum Profile Systems Ltd, Salmon Fields, Royton, Oldham, OL2 6JG and installed in accordance with the manufacturer's recommendations.