

D2000/FR FRAME FORMER

Uniclass L3272:P7114	EPIC F642:X725
C/S/FB (31.9)	Hn6

FEB 2016

Features

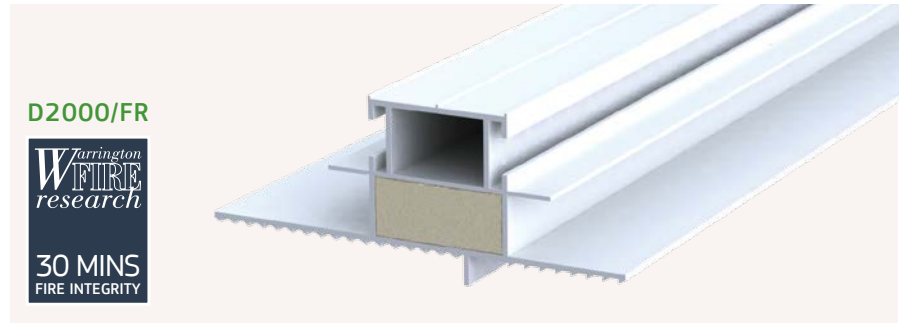
- » Exceeds 30mins fire integrity (D2000FR only)
- » One profile fits cavity widths from 50mm - 130mm
- » Weather Rating
Standard/ Flush = Severe
Check Reveal = Very Severe
- » Reduces risk of condensation, mould and moisture migration across the cavity
- » Complies with Part L Building Regulations
- » Ideal for first or second fix
- » Can be used on timber frame construction

Standards

- » ISO 9001:2008 Yes
 - » BBA Certificate..... Yes
 - » Part L Compliance 2010 Yes
 - » Robust Detail BR262 Yes
- CORE MINERAL WOOL:
- » Manufactured in accordance with BS EN 13162 Yes

Sustainability

- » ISO14001: 2008 Yes
- » GWP 0
- » ODP Zero
- » Green Guide A+



Product Description

D2000 is a fully insulated cavity closer offering a highly flexible single solution for the closing of cavities around window and door openings.

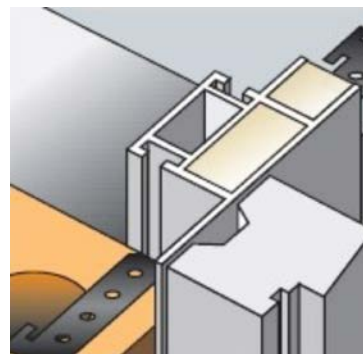
D2000FR fire rated, non-combustible insulated cavity closers offer a highly flexible, single solution for the closing of cavities around window and door openings.

D2000/FR can be used with all types of door and window systems.

Product Function

D2000/FR has a rigid PVCu profiles containing a mineral wool insulation forming a continuous insulated cavity closer around door and window openings, preventing cold bridging.

A fully insulated cavity closer made up into sturdy factory built frame former, saves time by eliminating the need for site fabricated timber templates around window and door reveals.



D2000/FR FRAME FORMER

Specification

- » Fire Rated Yes (D2000FR only)
- » Check Reveal Available Yes
- » 1st Fix..... Yes
- » 2nd Fix..... Yes
- » Min Cavity Width (mm)..... 50
- » Max Cavity Width (mm).... 130
- » Lengths To client spec
- » Thermal Conductivity (K Value
 Ψ 90/ 90) = 0.038w/mk
- » Thermal Resistance (R Value)
= 0.658m²K/W

Insulation

- » 140kg/m³ mineral wool

Test Results (Fire Properties)

- » Base rock materials:
BS476: Part 4 1970 (1984)
- » Fire Integrity: min. 30 mins
- » Excess of the 30 min. cavity fire barrier defined in Table A6 of Appendix A- Approved Document B, Building Regulations 1991
- » Tested horizontally & vertically

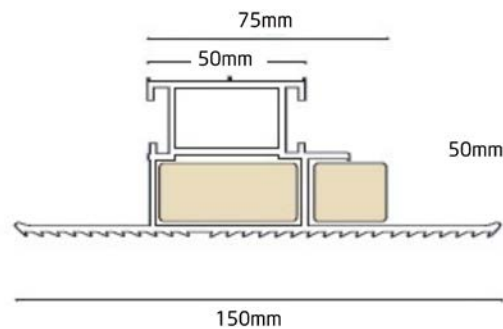
Technical Data

PROFILE:

White non water absorbing PVCu.

INSULATION:

140kg/m³ mineral wool.



Compliance

D2000FR is fully compliant with the new Part L Building Regulations . D2000/FR will comply with the new Approved document L1A for England & Wales dated October 2010.

D2000FR was tested at Warrington Fire Research amd was found to be in accordance with BS476 Cert 20 1987. D2000FR provides a minimum of 30 minutes fire integrity and 30 minutes fire insulation.

Due to the use of the ECOSE™ slab core and the recycled plastic the product is classified as ZERO ODP and ZERO GWP.

Recycled Content

All Dacatie Cavity Closers are produced with a recycled content of approximately 50%. The materials used predominately comprise a blend of post-consumer and/ or post-industrial recycled material.

The insulation materials used can typically contain a recycled content of approximately 5%.

D2000/FR FRAME FORMER

Order Codes

STANDARD:

D2000 (FR) + cavity width

CHECK REVEAL:

CD2000 (FR) + cavity width

How To Order

For Dacatie Frame Formers, the following information should be supplied:

1. Overall width (brick to brick) (mm)
2. Overall height (brick to lintel) (mm)
3. Cavity width (mm)
4. Three or four sided former3/4
5. Plaster stop required? (30mm offset) yes/no
6. Check reveal yes/no

Fixing Ties

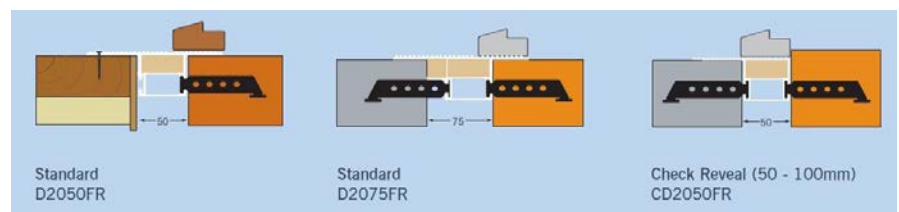
DTS Fixing Ties for Porotherm construction (DTS Fixing Tie)

- » Thickness: 0.6mm
- » Material: Steel
- » No / Pack: 100

Installation/ Application Detail

Frame formers can be manufactured with welded corners or using corner brackets - both available through Dacatie. Contact us for further details.

D2000/FR is ideally suited for all applications, with a single profile for all standard or rebated cavities from 50 - 130mm, including full or partial fill. See examples below. Also available in check reveal situations with cavity widths 50 - 100mm (see CD2000FR diagram below).



FIRST FIX

First fix applications may be achieved by fixing the closer to a timber former or window and incorporating into the brickwork as it is constructed. First fix cavity closer application requires DTU fixing ties every 225mm.

SECOND FIX & RETRO FIX

Second fix applications are possible by cutting the closer to length, push fitting into the cavity and nailing to the brick or block work.

NOTE: Check window or door is within tolerances; windows should be 10mm less than inside width of former and 8mm less than the inside height of former. Fix with standard window fixings (e.g. lugs, reveal straps or bolt fixings).

NOTE: when ordering for timber frame constructions, please contact our technical department.

Health & Safety

Dacatie has an approved Health and Safety Policy and is committed to working and supplying products safely. A Dacatie COSHH data sheet is available and can be downloaded from the Dacatie website www.dacatie.co.uk.

Environment

Dacatie's closer insulation has no CFC's, HCFC's in the manufacturing process and represents no known threat to the environment. Dacatie's closer insulation has a low impact on the environment and is classified as zero ODP and zero GWP.

Storage & Packaging

Dacatie's closers are supplied in polythene sleeves that are designed for transporting and protecting the products. It is not recommended that the packs are stored in direct sunlight. When storing the Cavity Closers for longer periods of time it is recommended the product should be stored indoors, or under cover.

GWP levels less than 5, ODP Zero and Green Guide A+

Dacatie Insulated Cavity Closers offer different insulation materials with the option of GWP levels of <5, ODP levels of zero and Green Guide ratings of A+

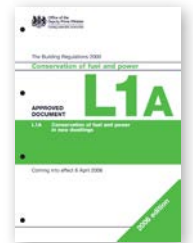
BREEAM (and Code for Sustainable Homes)

BRE has advised that Insulated Cavity Closers as a product do not gain Green Guide credits, since they do not enhance BREEAM scheme categories.

BREEAM®

Building Regulations compliance

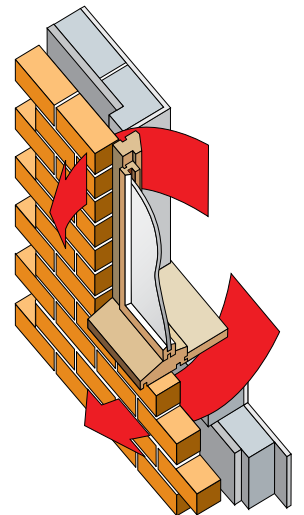
Building Regulation (Part L) compliance is important. The path of minimum thermal resistance through the closer must be at least 0.45 m²K/W, which Dacatie closers achieve.



Cold Bridging

The problems of cold bridging are recognised in the Part L Building Regulation 2010 and Scottish Building Regulations 2004. Dacatie Insulated Cavity Closers are used to overcome thermal loss that occurs around unprotected cavities and reveals. Thermal loss can result in problems of condensation, staining and mould growth at the reveals of these openings.

Prolonged exposure to such factors will lead to a deterioration of the internal plaster and paint work. The use of Dacatie Cavity Closers will help to prevent the occurrence of such factors.



Specification Statement

The insulated cavity closer around window and door openings is to be a Dacatie product, supplied by Quantum Profile Systems Ltd, Salmon Fields, Royton, Oldham, OL2 6JG and installed in accordance with the manufacturer's recommendations.